



GENERIC



Race 50

Engine 2012

DESIGN  AUSTRIA

Reservedele



SCANDINAVIAN MACHINERY IMPORT ApS

Holtvej 8-10, Høruphav, 6470 Sydals

Telefon: +45 73 15 11 00

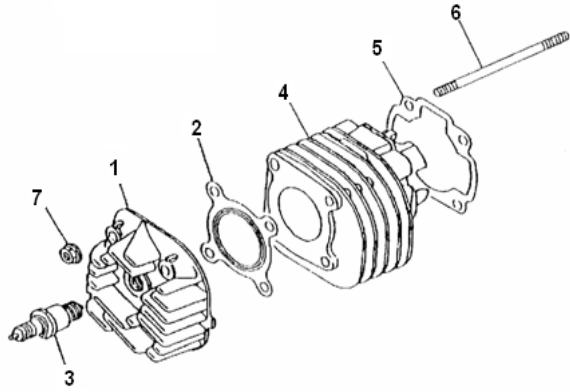
Fax: +45 73 15 11 01

E-mail: info@scanmi.dk · www.scanmi.dk

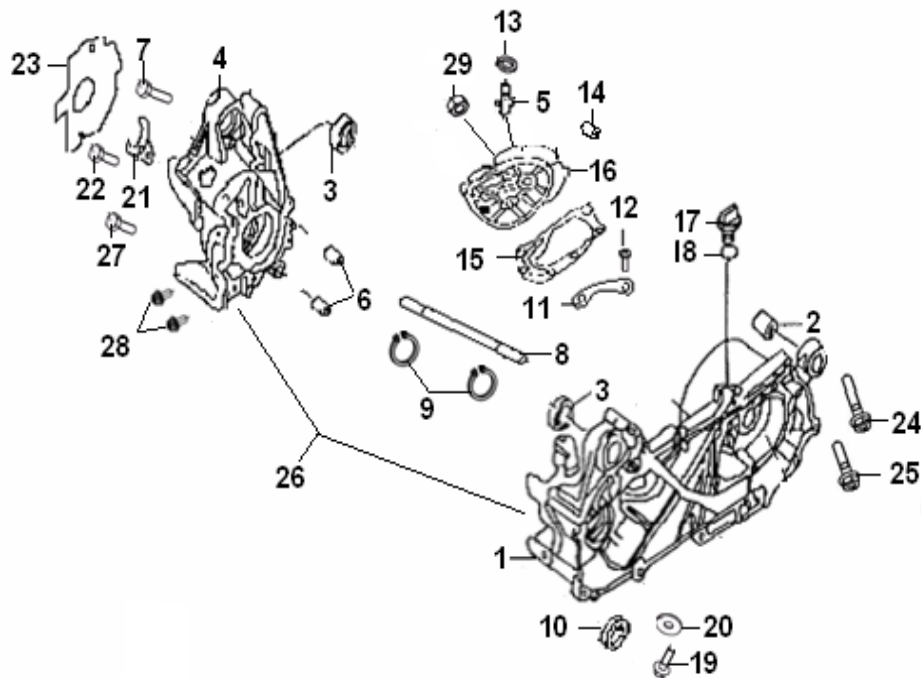
CVR: 27 73 31 07

Oktober 2012

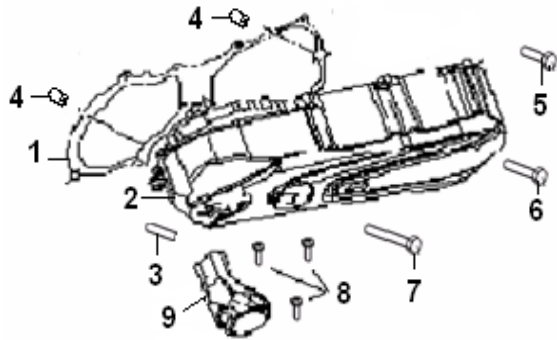
QJ1E40QMB-4



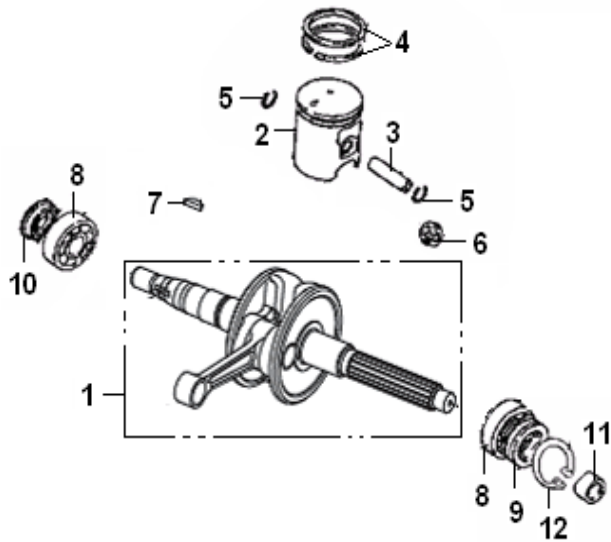
1	序号	代码	DESCRIPTION	数量
NO	QJ	CODE	DESCRIPTION	QTY
1	109061160000		HEAD, CYLINDER (EU I)	1
2	109071160000		GASKET, CYLINDER HEAD	1
3	299072090030		SPARK PLUG (EU I)	1
4	139031160011		CYLINDER (EU I)	1
5	139021160030		GASKET, CYLINDER	1
6	15910116001X		STUD BOLT	4
7	27007208001X		NUT	4



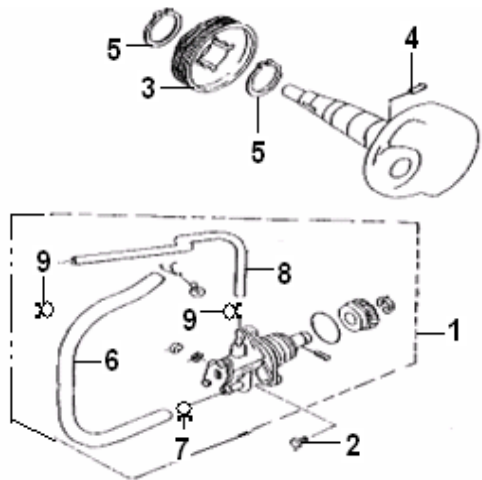
2	序号	代码	DESCRIPTION	数量
	NO	QJ CODE		QTY
1	159041070000		CRANKCASE,LH	1
2	150012080000		BUSH,ENGINE MOUNTING	1
3	B12016000300		BEARING 6003-2RS	2
4	159051070000		CRANKCASE,RH	1
5	250012080000		SHAFT	1
6	150042080000		DOWEL PIN 12X16	2
7	B01070603563		PAN HEAD SCREW M6X35	4
8	15001107001X		AXLE,engine mount	1
9	B08010001701		CIRCLIP 17	2
10	150032080000		bush	1
11	150121070000		BEARING HOLDER	1
12	B01070601263		PAN HEAD SCREW M6X12	2
13	160223070000		O RING	1
14	150042080000		DOWEL PIN 12X16	2
15	240021070030		GASKET, GEAR BOX	1
16	240011070000		COVER, GEAR BOX	1
17	220032080000		OIL PLUG	1
18	220042080000		O RING	1
19	22007208002X		FLANGE BOLT M8X16	1
20	210013050000		PLATE WASHER 8	1
21	150102080000		OIL SEAL HOLDER	1
22	B01070601263		PAN HEAD SCREW M6X12	1
23	150062080030		GASKET	1
24	B01070805563		SCREW M8X55	2
25	B01070805063		SCREW M8X50	5
26	15001107001Z		CRANKCASE	1
27	B01070602563		SCREW	2
28	B02040501463		SCREW	2
29	B04170800052		NUT	1



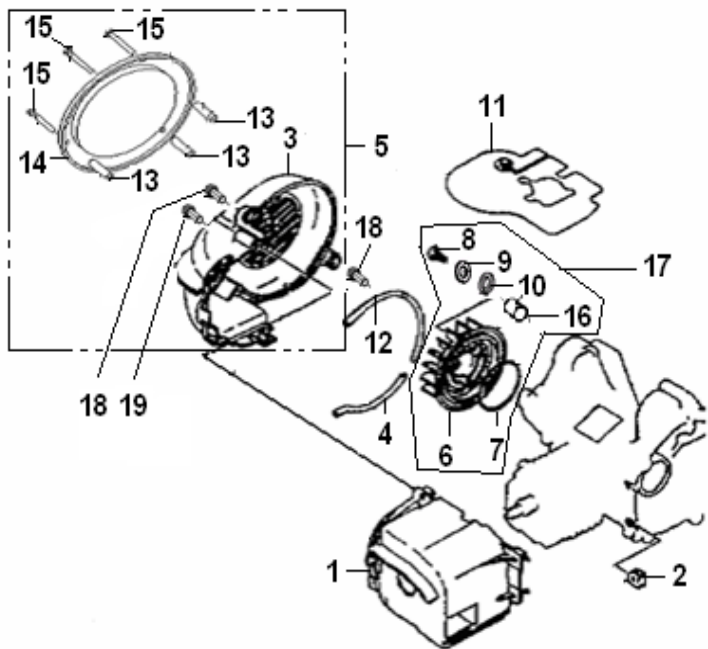
3	序号	代码	DESCRIPTION	数量
	NO	QJ CODE	DESCRIPTION	QTY
	1	169072080030	GASKET,L CRANKCASE	1
	2	169021070053	L CRANKCASE COVER	1
	3	150092080000	IDLE GEAR	1
	4	150083070000	DOWEL PIN	2
	5	B01070602564	PAN HEAD SCREW M6X25	5
	6	B01070603564	PAN HEAD SCREW M6X35	1
	7	B01070606564	PAN HEAD SCREW M6X65	1
	8	B05003501302	SCREW ST3.5X14	3
	9	160021070000	AIR DUCT-INLET	1



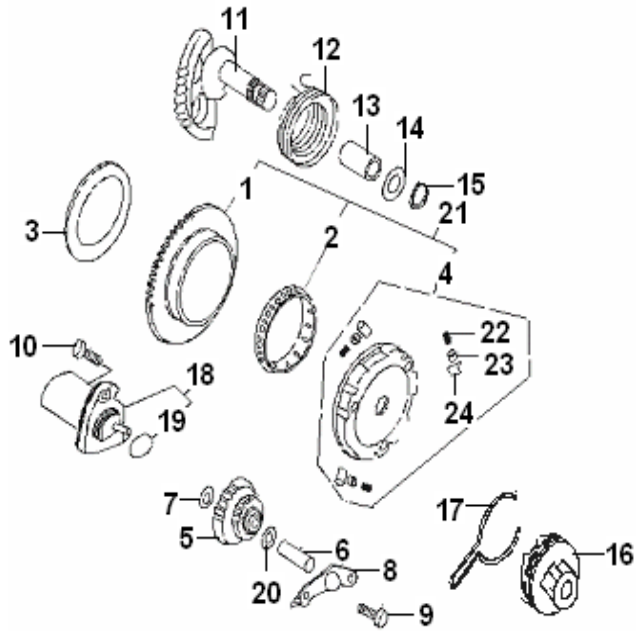
4	序号	代码	DESCRIPTION	数量
	NO	QJ CODE	DESCRIPTION	QTY
	1	179011160010	CRANKSHAFT, ASSY	1
	2	179131070022	PISTON ASSY (EU I)	1
	3	179141160000	PISTON PIN	1
	4	170021160000	PISTON RING (EU I)	2
	5	170092080000	CIRCLIP	2
	6	170031160000	NEEDLE BEARING	1
	7	B12810035013	WOODRUFF KEY	1
	8	B12016E20401	BALL BEARING	2
	9	170012080000	OIL SEAL	1
	10	150082080000	OIL SEAL ASSY	1
	11	17008208001X	COLLAR	1
	12	170022080000	CIRCLIP	1



5	序号	代码	DESCRIPTION	数量
NO	QJ CODE		DESCRIPTION	QTY
1	269011070150		OIL PUMP ASSY	1
2	B02000501463		SCREW	2
3	170112080000		WORM	1
4	B091403014B0		PIN	1
5	170122080000		CIRCLIP	2
6	260151070000		HOSE,OIL INLET	1
7	260232080001		HOSE CLIP	2
8	260021070010		HOSE,OIL OUTLET	1
9	260242080001		HOSE CLIP	2



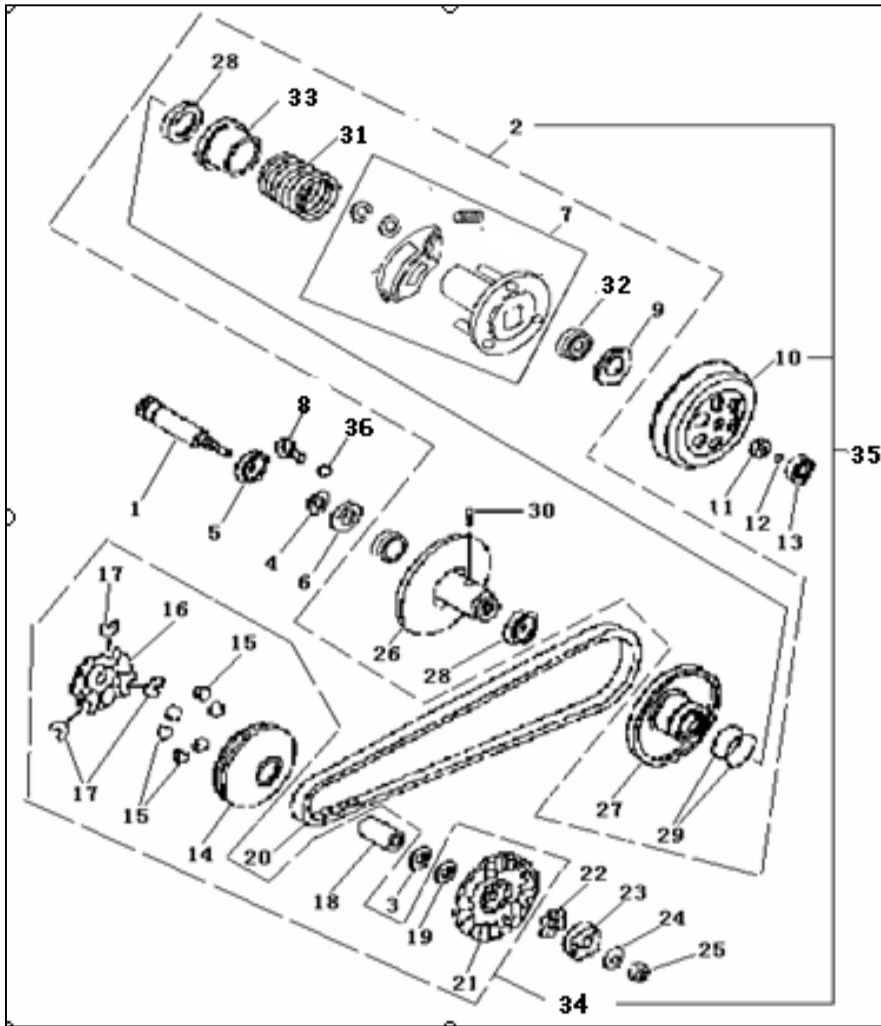
6	序号	代 码	DESCRIPTION	数量
NO	QJ CODE		DESCRIPTION	QTY
1	270011160000		COWLING,cylinder	1
2	150022080000		GROMMET	2
3	270011070040		COELING,fan	1
4	270122080020		BEADING (RUBBER)	1
5	270011070050		COVER ASSY (FAN)	1
6	27903116002Z		FAN	1
7	270022080000		RUBBER RING 70X3.1	1
8	B02000601623		SCREW M6X16	3
9	B07000000601		SPRING WASHER φ6	3
10	B07030000603		WASHER φ6	3
11	270052080000		DUST COVER (RUBBER)	1
12	270122080010		BEADING (RUBBER)	1
13	270011070000		COLLOR	3
14	270041070000		COVER	1
15	B02000403524		SCREW M4X35	3
16	270172080000		COLLOR	3
17	27903116002Z		FAN ASSY	1
18	B01070602064		SCREW	2
19	B05035504004		SCREW	1



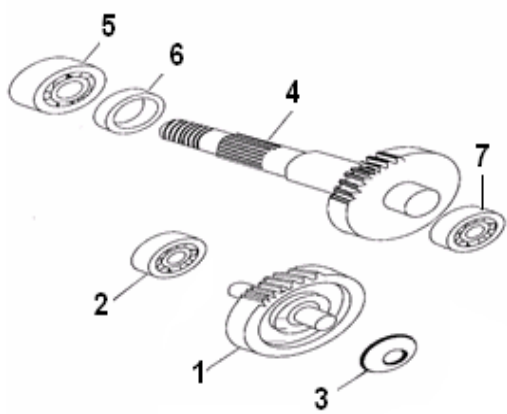
7

序号	代码	DESCRIPTION	数量
NO	QJ CODE	DESCRIPTION	QTY
1	200022080000	START GEAR ASSY	1
2	200012080000	NEEDLE BEARING	1
3	24003208001X	THRUST WASHER	1
4	249092080001	START HOLDER ASSY	1
5	249022080000	DRIVEN GEAR,STARTER	1
6	150092080000	IDLE GEAR SHAFT	1
7	24002208001X	PLATE WASHER	1
8	24001208003X	IDLE GEAR HOLDER	1
9	B01070601063	SCREW	2
10	B02050602063	SCREW	2
11	259012080002	SHAFT, kick starter	1
12	250042080010	SPRING	1
13	250022080002	BUSH	1
14	250052080000	WASHER ,kick starter	1
15	B080100015A0	CIRCLIP	1
16	250062080000	KICK PINION ASSY	1
17	250032080000	CLIP	1
18	249012080010	STARTING MOTOR ASSY	1
19	B190102120B0	O-RING	1
20	24004208001X	PLATE WASHER	1
21	200032080001	START CLUTCH ASSY	1
22	200082080001	SPRING	3
23	200072080001	CAP	3
24	200062080001	ROLLER	3

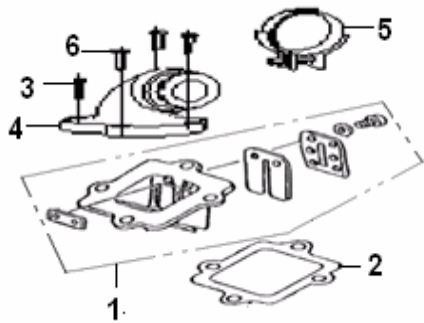
8



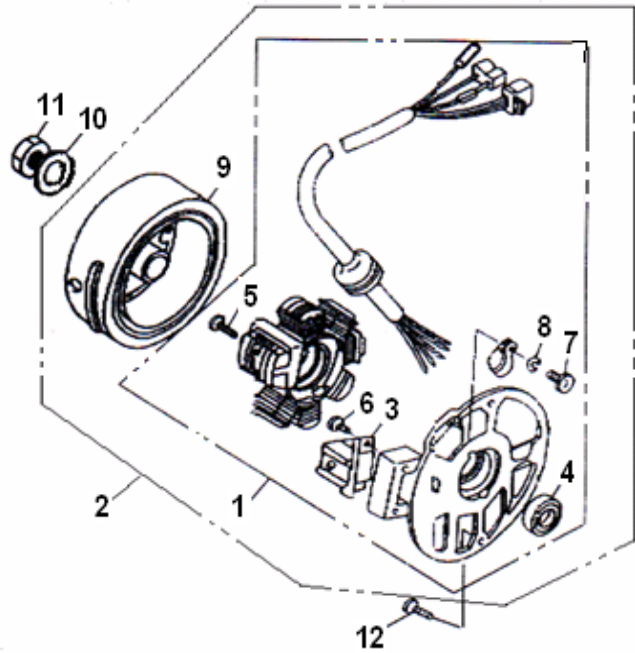
NO	QJ CODE	DESCRIPTION	QTY
1	229041070001	PRIMARY DRIVE SHAFT	1
2	200071040010	DRIVEN PULLEY and CLUTCH ASSY	1
3	20001107004X	WASHER8.2	1
3	20001107009X	WASHER10.3	1
4	B08010001701	CIRCLIP	1
5	B12016020303	ROLING BEARING 6203	1
6	200021070000	OIL SEAL	1
7	200091040000	CLUTCH ASSY,shoe	3
8	200142080000	PLATE WASHER	1
9	200282080000	NUT	1
10	200262080000	CLUTCH DRUM	1
11	20029208002X	NUT	1
12	200492080000	RING	2
13	120012080000	BEARING 638Z	1
14	220041070000	FACE,movable drive	1
15	220141070000	ROLLER	6
16	200352080000	PLATE,movable drive	1
17	200342080000	DAMPER	3
18	200362080000	COLLER	1
19	200021160000	WASHER	1
20	229011160020	V BELT, DRIVE	1
21	220021070000	FACE, FIXED DRIVE	1
22	200382080000	PLATE, WOODRUFF KEY	1
23	20031208002X	STARTING DISC	1
24	17007208001X	WASHER, SPRING	1
25	B04031212513	NUT	1
26	200152080000	FACE, FIXED DRIVEN	1
27	200162080000	FACE, MOVABLE DRIVEN	1
28	200392080000	OIL SEAL	1
29	200202080000	O-RING	2
30	200192080000	PIN, GUIDE	2
31	200071040000	SPRING	1
32	200222080000	ROLLER BEARING	1
33	200182080000	SEAT, SPRING	1
34	209001040040	DRIVE ASSY	1
35	229001070000	SHIFT ASSY	1
36	B01090801263	PAN HEAD SCREW	1



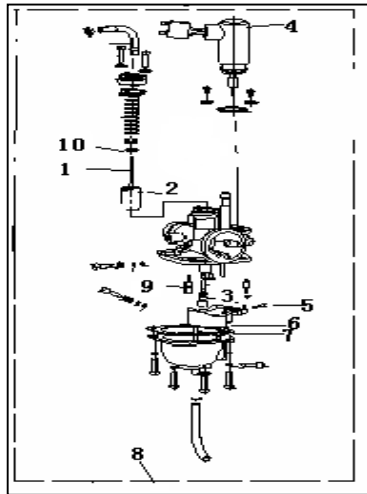
9	序号	代码	DESCRIPTION	数量
	NO	QJ CODE	DESCRIPTION	QTY
	1	229061070000	SHAFT, IDLE	1
	2	B12016020001	BEARING 6200	1
	3	210303070000	WASHER, thrust	1
	4	229091070000	SHAFT, REAR BOX	1
	5	B12016000400	NEEDLE BEARING	1
	6	240031070000	OIL SEAL	1
	7	B12016020204	NEEDLE BEARING	1



10	序号	代码	DESCRIPTION	数量
	NO	QJ CODE	DESCRIPTION	QTY
	1	119002080020	REED VALVE ASSY	1
	2	110032080030	VALVE SEAT GASKET	1
	3	B02050602063	SCREW	3
	4	110012080000	PIPE, intake	1
	5	110022080010	CLIP	1
	6	15002116001X	SCREW	1



11	序号	代码	DESCRIPTION	数量
NO	QJ CODE			QTY
1	299031070001		COIL ASSY	1
2	299011070001		MAGNETO ASSY	1
3	290032080000		PULSE TRIGGER	1
4	29012080000		OIL SEAT	1
5	B02000502522		SCREW	2
6	B02000501023		SCREW	2
7	B02000400622		SCREW	1
8	B07000000400		SPRING WASHER	1
9	299022080014		FLY WHEEL ASSY	1
10	B07030001203		WASHER	1
11	27002305001X		NUT	1
12	B01070601663		NUT	2



12	序号	代码	DESCRIPTION	数量
NO	CODE			QTY
1	3390005E0021		NEEDLE, jet	1
2	3322105E0000		VALVE,PISTON	1
3	3311505E0100		JET, main 62.5	1
3	3311505E0100		JET, main 57.5	1
4	3360105E0000		ENRICH VALVE	1
5	PZ19JB-05-13		PIN, float	1
6	PZ19JB-05-02		FLOAT	1
7	3351405E0000		GASKET	1
8	3390005E0331		CARBURETOR ASSY	1
9	3312405E0000		JET, idle 22.5	1
9	3312405E0000		JET, idle 20	1
10	3327402E0000		CLIPMM,V shape	1